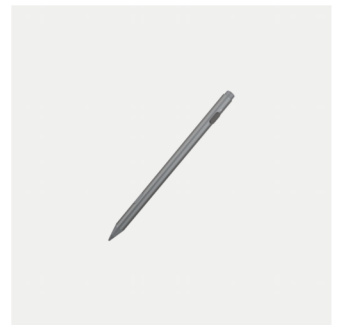
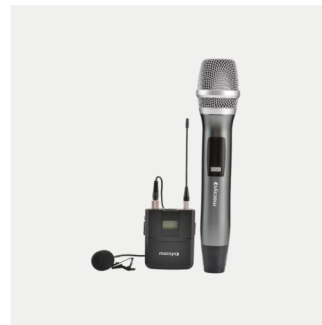
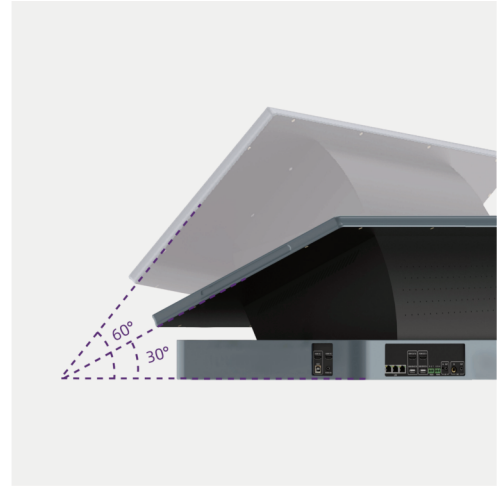


## AVCON-DESK | Audio-Visual Control Desk



### Key features

#### Audio-Visual Control Desk:

- **Dual Touch Capability:** Supports both capacitive and electromagnetic touch, allowing finger and pen input for annotations and gesture controls.
- **Dual Screens with Optical Bonding:** Provides enhanced visual and writing experience with optical bonding technology for better clarity and touch response.
- **Adjustable Screen Angle:** The screen angle can be adjusted from 30° to 60°, making it suitable for both sitting and standing positions.
- **Unified Device Control:** Enables one-click activation and control of classroom devices (lights, projectors, air conditioning, etc.) through local and network-based remote access.
- **Built-in Computer:** Integrated high-end computer eliminates the need for external laptops, saving space and providing a seamless teaching experience.
- **3x2 AV Matrix Switch:** Facilitates dynamic switching of input and output devices, allowing flexible content display across multiple screens.
- **AV Broadcasting and Live Streaming:** Supports campus-wide audiovisual broadcasting and live streaming over the network (requires a media server).
- **Wireless Microphone & Sound Amplification System:** Integrated system for effortless voice amplification during teaching sessions.
- **Precise Pen Control:** Active capacitive stylus pen with 4096 levels of pressure sensitivity, pen tip annotation, and pen tail eraser.

## AVCON-DESK | Audio-Visual Control Desk

### Wireless Microphone:

- **Integrated Wireless System:** Offers wireless connectivity for the microphone, ensuring ease of movement and a clutter-free teaching environment.
- **Sound Amplification:** Built-in amplification to enhance the presenter's voice, making it audible throughout the Room.

### Wireless Relay Module:

- **Wireless Relay Control:** Allows for wireless control of various connected devices in the classroom or meeting room.
- **Flexible Integration:** Easily integrates with the digital podium to provide seamless control over connected systems, such as lighting, projectors, and other AV equipment.

## Product Overview

The Macsys AVCON-DESK is an advanced Audio-Visual Control Desk designed to seamlessly integrate into both conference rooms and classroom setups, transforming traditional spaces into modern, digital communication hubs. This versatile podium supports both finger and pen input, allowing for precise annotations and intuitive gesture controls. Its dual screens, enhanced by optical bonding technology, provide a superior visual and touch experience, making it ideal for dynamic presentations and interactive sessions.

The podium's adjustable screen angle, ranging from 30° to 60°, offers comfort for both sitting and standing positions, catering to the needs of various presenters in different settings. The integrated high-end computer eliminates the need for external laptops, streamlining the space and freeing up room for other essential equipment.

With its 3x2 AV Matrix Switch, the AVCON-DESK allows for flexible switching and display of content across multiple screens, enabling presenters to share various materials simultaneously or switch between them effortlessly. The podium also facilitates unified control over conference room or classroom devices, including lighting, projectors, and air conditioning, through both local access and network-based remote control.

For comprehensive management, the AVCON-DESK is equipped with AV broadcasting and live streaming capabilities, supporting organization-wide audiovisual distribution and remote participation. The inclusion of a Wireless Microphone ensures that the presenter's voice is clearly amplified throughout the room, enhancing communication and engagement during meetings or lessons.

Complementing the podium, the Wireless Relay Module (AVCON-WRM) provides wireless control over connected devices, allowing for easy and efficient management of AV equipment, lighting, and other systems. This module enhances the flexibility and control of the overall environment, making it easier to create an optimized experience in both conference rooms and classrooms.

## Technical Specification

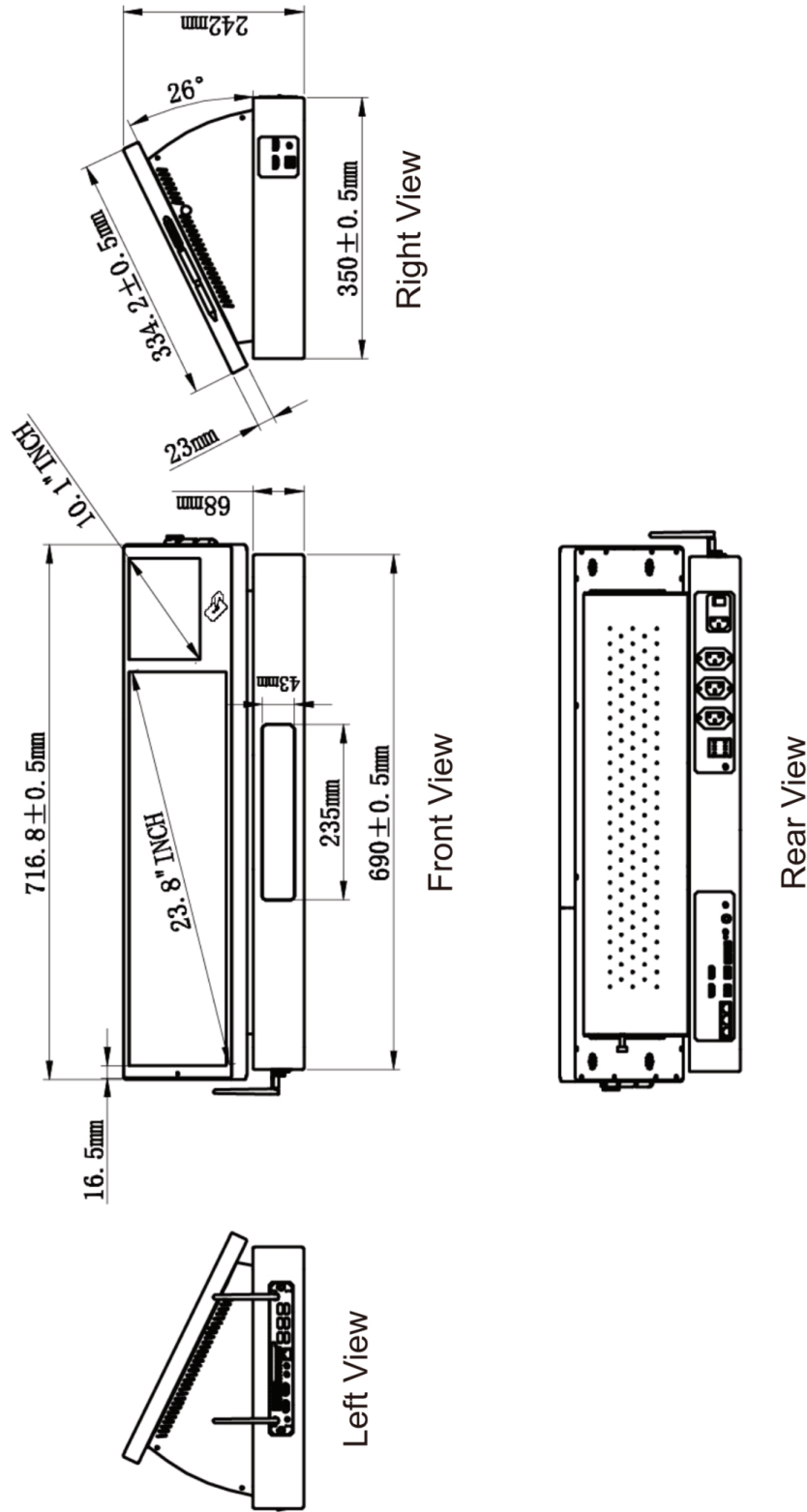
Features	Detail	
AVCON-DESK – Audio-Visual Control Desk		
Display Panel Type	IPS (TFT-LCD)	
Effective Screen Size	23.8 inch	
Resolution	1920(H) x 1080(V)	
Colors	16.7M	
Brightness	350 cd/m <sup>2</sup>	
Contrast Ratio	1000:1	
Surface	3mm Hardened Anti-Reflection Safety Glass (MOHS 8), AG+AF, Optical Bonding	
Viewing Angles	178° (H), 178° (V)	
Control Panel Type	IPS (TFT-LCD)	
Control Panel Size	10.1 inch	
Control Panel Resolution	1200(H) x 1920(V)	
Control Panel Brightness	250 cd/m <sup>2</sup>	
Handwriting Technology	Capacitive, Active Pen	
Pen Pressure	4096 levels	
Reading Accuracy	±0.25 mm (center)	
Built-in PC Specifications	Intel® Core™ i5, 8GB RAM, 512GB SSD, Intel® Iris® Xe Graphics eligible	
Network Connectivity	1 x 10/100/1000M Ethernet LAN, Wi-Fi 802.11ac/a/b/g/n; Bluetooth	
I/O Ports	HDMI 2.0 in *2, HDMI 2.0 out *2, USB 2.0 (device) *2, USB 2.0 (touch) *1, RS232 *1, RS485 *1, IR-In *1, IR-Out *1	
Power Amplifier	40W+40W *2, supports up to 4 passive speakers (2 pairs)	
Power Supply	100V~240V AC 50 / 60Hz	
Environmental Conditions	0 – +40°C (use), -15 – +60°C (storage), 20-80% (use), 10-90% (storage)	
Stand Adjustment	30° – 60°	
Microphone Type	Handheld Microphone	Lapel Microphone
Receiving Sensitivity	≥ 85 dBm	≥ 85 dBm

Receiver Working Current	5V / 180mA	5V / 180mA
Frequency Range	640MHz ~ 690MHz	640MHz ~ 690MHz
Sensitivity	51 dB±3 dB (0 dB=1V/Pa 1 KHz)	51 dB±3 dB (0 dB=1V/Pa 1 KHz)
Frequency Response	50Hz ~ 15KHz	50Hz ~ 15KHz
Microphone Type	Dynamic cardioid microphone	Condenser microphone
Signal-to-noise ratio (SNR)	≥ 65 dB	≥ 105 dB
Transmit Power	> 20 dBm	16~25 dBm
Distortion	< 0.5%	< 0.5%
Effective Distance	< 40 m	< 40 m
Latency	< 5 ms	< 5 ms
Operating Temperature	-25°C to 60°C	-25°C to 60°C
Power Supply	2*AA batteries	2*AA batteries
Microphone Working Current	100mA @ 3V	200mA @ 3V
Battery Lifetime	12 Hours	5 Hours

#### AVCON-WRM Wireless Relay Module (Optional)

AC Power Supply	90-300VAC
Input Power Consumption	< 3W
Working Environment	-20°C to 85°C
Wi-Fi	IEEE 802.11 b/g/n 1T1T 2.4GHz
Control Interface	1RELAY, 1RS232, 1*IR OUT
Maximum Load (Resistance)	250VAC, 10A
Maximum Switching Power	2500VA
Wireless Connection	2.4GHz wireless transmission
Unified Control	Remote control through Q-NEX Console
Device Control Interfaces	Supports RS232, IR, Relay interfaces
Device Control Extension	Up to 4 more CBXs can be connected to NMP

# Dimension



for more detail reach us @ [www.macsystemech.com](http://www.macsystemech.com) | write us on : [contact@macsys.com](mailto:contact@macsys.com)

©2024 Macsys

Macsys reserve rights to introduce modifications without notice. Product images are for illustrative purposes only, the actual product may vary. Warranty policy applies as described on our website.

