

## PAS-NCS10 | High-Performance Two Way Network PoE Ceiling Speaker 10- Watt



### Key features

- Durable Design: Robust metal housing with integrated amplifier.
- Powerful Audio: High-sensitivity speakers up to 100dB via POE.
- Clear Communication: High-definition microphone with dynamic volume control.
- Remote Diagnostics: Easy self-checks and performance verification.
- SIP Support: Compatible with Yeastar, Asterisk, and Cisco systems.
- ONVIF Integration: Connects seamlessly with third-party monitoring systems.
- Versatile Interfaces: Multiple options for device connectivity.
- Flexible power: with DC 24V/1A, PoE, and PoE+
- Remote Management: Supports online upgrades and maintenance.

### Product Overview

The Macsys PAS-NCS10 IP PoE Ceiling Speaker is a state-of-the-art communication solution designed for high durability and exceptional audio performance. Engineered with a robust and integrated design, this ceiling speaker features a built-in amplifier housed in a resilient metal enclosure, ensuring it withstands various environmental conditions while delivering reliable service.

The PAS-NCS10 excels in audio output with its high-sensitivity speakers, which can reach up to 100dB when powered through Power over Ethernet (POE). This capability ensures that audio is delivered clearly and effectively, even in challenging acoustic environments. Additionally, the speaker includes a high-definition microphone with dynamic volume adjustment, allowing for precise and clear two-way communication, making it ideal for intercom and paging applications.

It is SIP compliant and multicast-capable, supporting integration with mainstream SIP PBX systems and ONVIF-compatible monitoring platforms. Remote self-check, web configuration, and online upgrades streamline deployment and maintenance. The metal housing, ceiling-mount design, and flexible power options including PoE and PoE+ make it suitable for hotels, companies, and similar indoor environments.

## PAS-NCS10 | High-Performance Two Way Network PoE Ceiling Speaker 10 Watt

### Technical Specification

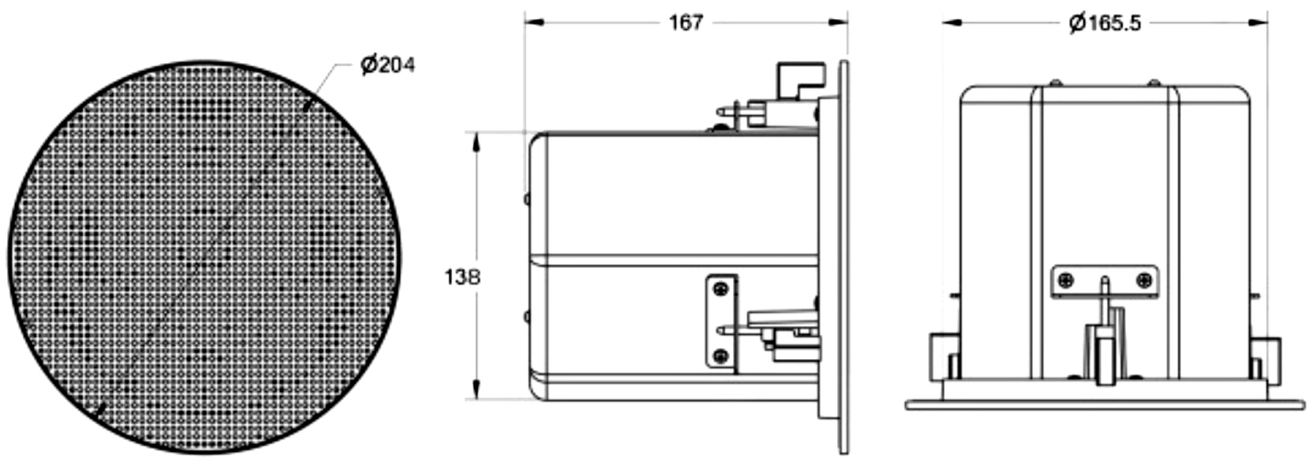
Features	Detail
Device	10watt IP PoE Ceiling Speaker with built-in microphone
Communication	SIP compliant, multicast-capable
Integration	Supports SIP, ONVIF
Management	Remote self-check, remote management, online upgrades
Intercom	2-way intercom with built-in microphone, dynamic volume adjustment
Amplifier	Built-in amplifier
Housing	Metal housing; Net Material: Iron; Housing Material: Iron
Power supply	DC 24V/1A, PoE (IEEE802.3af), PoE+ (IEEE802.3at)
Standby power	≤3W
Rated power output	10W
Audio codecs	G.711A-law, G.711μ-law, G.722
Sensitivity	89dB±3dB (1W, 1m)
Maximum SPL	100dB
S/N ratio	≥85dB
Sampling & bit rate	8kHz~44.1kHz, 16bit, 8kbps~320kbps
Frequency response	70Hz~18kHz
Network interface	10BASE-T/100BASE-TX RJ45
Network protocols	SIP, ONVIF, HTTP, UDP, ARP, ICMP, IGMP
Configuration	Web Interface or Config Tool
Mounting	Ceiling Mount
Environment	Indoor Locations
Operating temperature	-30°C~+60°C
Operating humidity	≤90% RH non-condensing
Color	Off White(Net) + Black(Housing)
Dimensions	φ204x167mm
Cutout size	φ180mm
Weight	1.9KG

# PAS-NCS10 | High-Performance Two Way Network PoE Ceiling Speaker 10 Watt

## Technical Specification

Features	Detail
Interfaces	Network Port; Power Input Port(DC24V/1A); Audio Input Port; Alarm Input Port; Alarm Output Port; Reserved
Accessories	1x2-Pin Pluggable Terminal Block Connector; 1x4-Pin Pluggable Terminal Block Connector; 1x6-Pin Pluggable Terminal Block Connector

## Dimension



for more detail reach us @ [www.macsystemtech.com](http://www.macsystemtech.com) | write us on : [contact@macsys.com](mailto:contact@macsys.com)

©2024 Macsys

Macsys reserve rights to introduce modifications without notice. Product images are for illustrative purposes only, the actual product may vary. Warranty policy applies as described on our website.

